

Mike's Video Inverter and Sound Amp

Congratulations on your purchase of Mike's Color Inverter and Sound AMP. This board is a great solution for using a new monitor with your Nintendo Boards. It's also can be used as a color corrector for Nintendo Sanyo and Sharp monitors, allowing you to use them with standard game boards.



Features:

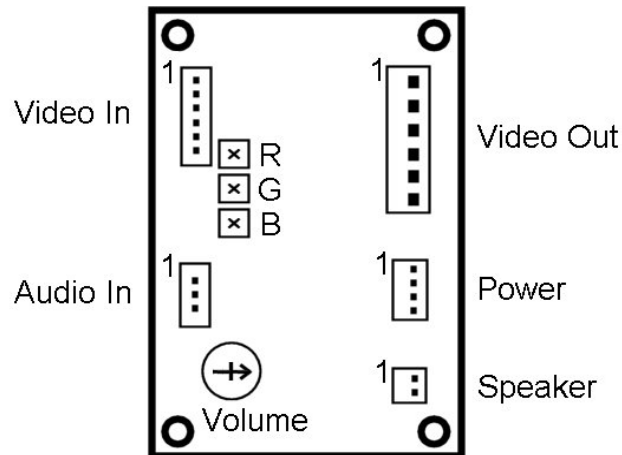
- Crystal clear, clean video output.
- Built-in sound amplifier
- Thumb-wheel volume control
- Adjustable Red, Green & Blue pots
- Can be used with your existing Nintendo Cables
- Standard Monitor connector
- Requires ONLY +12 VDC

Package includes:

- Color Inverter and sound amp board
- 2 foot long speaker cable
- 4 foot video cable
- 6 inch power cable

If you have any problems following these directions, please feel free to e-mail sales@mikesarcade.com for more assistance, or visit use on the Web at <http://www.mikesarcade.com>.

Mike's Video Inverter and Sound Amp



Connection Diagram and descriptions for V2.2

Video In – Nintendo 6-pin Video Cable

1. Green
2. Red
3. Blue
4. Ground
5. Ground
6. Sync (Negative Composite)

Video Out – 6 pin .156 header

1. Red
2. Green
3. Blue
4. Ground
5. Sync (Negative Composite)
6. Sync (Negative Composite)

Audio In – Nintendo 3 Pin Audio Cable

1. Audio (Un-amplified)
2. Ground
3. N/C (Ground)

Speaker – 2-pin connector, .01 spacing

1. Speaker +
2. Speaker – (Ground)

Power – 4 pin connector, .01 spacing

1. N/C (Ground)
2. N/C (Ground)
3. +12 VDC
4. Ground

If you have any problems following these directions, please feel free to e-mail sales@mikesarcade.com for more assistance, or visit use on the Web at <http://www.mikesarcade.com>.