

Am93L415/Am93L425

1024 x 1 Bit TTL Bipolar IMOX™ RAM

Am93L415/Am93L425

3

DISTINCTIVE CHARACTERISTICS

- Fully decoded 1024-word x 1-bit RAMs
- 93L415A/425A has a 35 ns maximum access time, 65 mA I_{CC}
- Internal ECL circuitry for optimum speed/power performance over voltage and temperature
- Output preconditioned during write to eliminate write recovery glitch
- Available with three-state outputs (Am93L425 series) or with open-collector outputs (Am93L415 series)
- Plug-in replacement for Fairchild 93L415A/415 and 93L425A/425, and Intel 2115/2125 series

GENERAL DESCRIPTION

The Am93L415 and Am93L425 are fully decoded 1024 x 1 RAMs built with Schottky diode clamped transistors in conjunction with internal ECL circuitry. They are ideal for use in high-speed control and buffer memory applications. Easy memory expansion is provided by an active LOW chip select input (\overline{CS}) and either open-collector (93L415) or three-state (93L425) output. Chip selection for large memory systems can be controlled by active LOW output decoders such as the Am74S138.

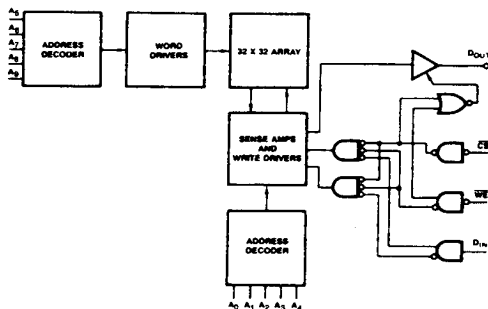
An active LOW write line (\overline{WE}) controls the writing/reading operation of the memory. When the chip select (\overline{CS}) and write lines (\overline{WE}) are LOW, the information on the data input

(D_{IN}) is written into the addressed memory word and the output circuitry preconditioned so that true data is present at the output when the write cycle is complete. This preconditioning operation insures minimum write recovery times by eliminating the "write recovery glitch."

Reading is performed with the chip select line LOW and the write line HIGH. The information stored in the addressed word is read out on the noninverting output (D_{OUT}).

During the reading and writing operation or any time the chip select line is HIGH, the output of the memory goes to an inactive high-impedance state.

BLOCK DIAGRAM



BD000632

MODE SELECT TABLE

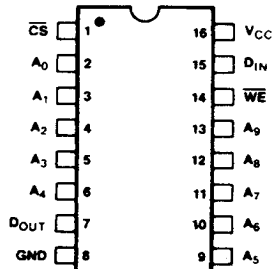
Inputs			Output		Mode
CS	WE	D _{IN}	D _{OUT}		
H	X	X	*Hi-Z		Not Selected
L	L	L	*Hi-Z		Write "0"
L	L	H	*Hi-Z		Write "1"
L	H	X	Selected Data		Read

H = HIGH L = LOW X = Don't Care
 *Hi-Z implies outputs are disabled or off. This condition is defined as a high-impedance state for the Am93L425 series and as an output high level for the Am93L415 series.

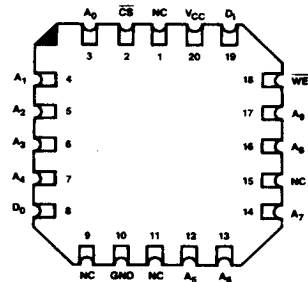
PRODUCT SELECTOR GUIDE

Access Time	35 ns	40 ns	45 ns	55 ns	60 ns
Temperature Range	C	M	C	M	C
Open-Collector	Am93L415SA	Am93L415SA	Am93L415A	Am93L415A	Am93L415
Three-State	Am93L425SA	Am93L425SA	Am93L425A	Am93L425A	Am93L425

CONNECTION DIAGRAMS Top View



CD000900



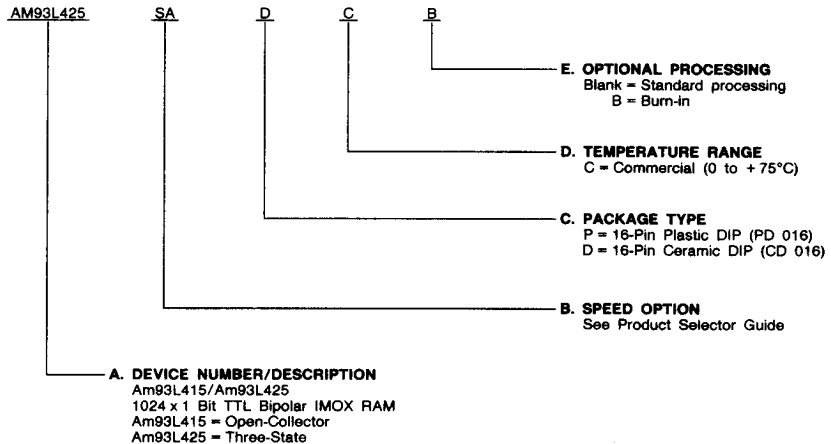
CD000910

ORDERING INFORMATION (Cont'd.)

Standard Products

AMD standard products are available in several packages and operating ranges. The order number (Valid Combination) is formed by a combination of:

- A. Device Number**
- B. Speed Option** (if applicable)
- C. Package Type**
- D. Temperature Range**
- E. Optional Processing**



Valid Combinations	
AM93L415SA	PC, PCB, DC, DCB
AM93L425SA	
✓ AM93L415A	
AM93L425A	
AM93L415	
AM93L425	

Valid Combinations

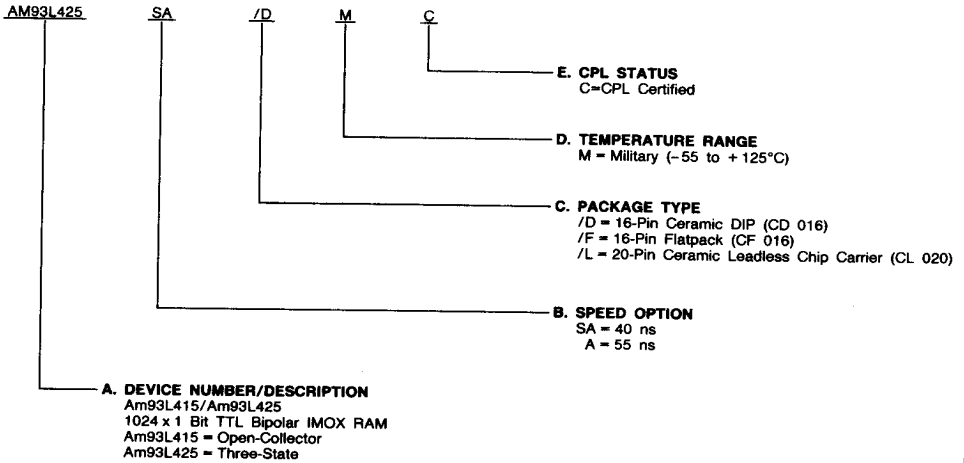
Valid Combinations list configurations planned to be supported in volume for this device. Consult the local AMD sales office to confirm availability of specific valid combinations, to check on newly released combinations, and to obtain additional data on AMD's standard military grade products.

ORDERING INFORMATION

CPL Products

AMD products for Aerospace and Defense applications are available in several packages and operating ranges. APL (Approved Products List) products are fully compliant with MIL-STD-883C requirements. CPL (Controlled Products List) products are processed in accordance with MIL-STD-883C, but are inherently non-compliant because of package, solderability, or surface treatment exceptions to those specifications. The order number (Valid Combination) for APL products is formed by a combination of:

- A. Device Number**
- B. Speed Option** (if applicable)
- C. Package Type**
- D. Temperature Range**
- E. CPL Status**



Valid Combinations	
AM93L425SA	/DMC,
AM93L415SA	/FMC,
AM93L425A	/LMC
AM93L415A	

Valid Combinations

Valid Combinations list configurations planned to be supported in volume for this device. Consult the local AMD sales office to confirm availability of specific valid combinations or to check for newly released valid combinations.

3

ABSOLUTE MAXIMUM RATINGS

Storage Temperature	-65 to +150°C
Ambient Temperature with Power Applied	-55 to +125°C
Supply Voltage	-0.5 V to +7.0 V
DC Voltage Applied to Outputs	-0.5 V to +V _{CC} Max.
DC Input Voltage	-0.5 V to +5.5 V
DC Input Current	-30 mA to +5 mA

Stresses above those listed under ABSOLUTE MAXIMUM RATINGS may cause permanent device failure. Functionality at or above these limits is not implied. Exposure to absolute maximum ratings for extended periods may affect device reliability.

OPERATING RANGES (Note 6)

Commercial (C) Devices	
Temperature	0 to +75°C
Supply Voltage	+4.75 V to +5.25 V
Military (M) Devices	
Temperature	-55 to +125°C
Supply Voltage	+4.5 V to +5.5 V

Operating ranges define those limits between which the functionality of the device is guaranteed.

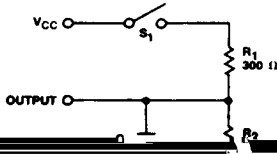
DC CHARACTERISTICS over operating range unless otherwise specified*

Parameter Symbol	Parameter Description	Test Conditions	Min.	Typ. (Note 1)	Max.	Units
V _{OH} (Note 2)	Output HIGH Voltage	V _{CC} = Min. V _{IN} = V _{IH} or V _{IL}		2.4	3.4	Volts
V _{OL}	Output LOW Voltage	V _{CC} = Min., V _{IN} = V _{IH} or V _{IL}			0.33	Volts
V _{IH}	Input HIGH Level (Note 3)	Guaranteed input logical HIGH voltage for all inputs	2.1			Volts
V _{IL}	Input LOW Level (Note 3)	Guaranteed input logical LOW voltage for all inputs			0.8	Volts
I _{IL}	Input LOW Current	V _{CC} = Max., V _{IN} = 0.40 V			-90	μA
I _{IH}	Input HIGH Current	V _{CC} = Max., V _{IN} = 4.5 V			1	μA
I _{SC} (Note 2)	Output Short Circuit Current	V _{CC} = Max., V _{OUT} = 0.0 V (Note 5)	-20		-50	mA
I _{CC}	Power Supply Current	All inputs = GND V _{CC} = Max.				mA
		Commercial			65	
		Military			75	
V _{CL}	Input Clamp Voltage	V _{CC} = Min., I _{IN} = -10 mA			-0.850	Volts
I _{CEX}	Output Leakage Current	C _S = V _{IH} or \overline{WE} = V _{IL} V _{OUT} = 2.4 V			0	μA
		Am93L415 Series Only			100	
		Am93L425 Series Only			50	
		C _S = V _{IH} or \overline{WE} = V _{IL} V _{OUT} = 0.5 V, V _{CC} = Max.			0	
		Am93L425 Series Only	-50			
C _{IN}	Input Pin Capacitance	See Note 4			8	pF
C _{OUT}	Output Pin Capacitance	See Note 4			10	pF

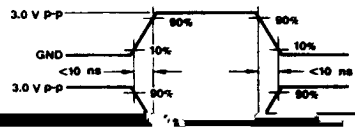
- Notes: 1. Typical limits are at V_{CC} = 5.0 V and T_A = 25°C.
 2. This applies only to devices with three-state output. (Am93L425 series)
 3. These are absolute voltages with respect to device ground pin and include all overshoots due to system and/or tester noise. Do not attempt to test these values without suitable equipment.
 4. Input and output capacitance measured on a sample basis using pulse technique.
 5. Duration of the short circuit should not be more than one second.
 6. Operating specification with adequate time for temperature stabilization and transverse air flow exceeding 400 linear feet per minute. Conformance testing performed instantaneously where T_A = T_C = T_J.
 θ_{JA} ≈ 60°/w (with moving air) for Ceramic DIP.
 θ_{JC} ≈ 10 - 17°/w for Flatpack.

*See the last page of this spec for Group A Subgroup Testing information.

SWITCHING TEST CIRCUIT



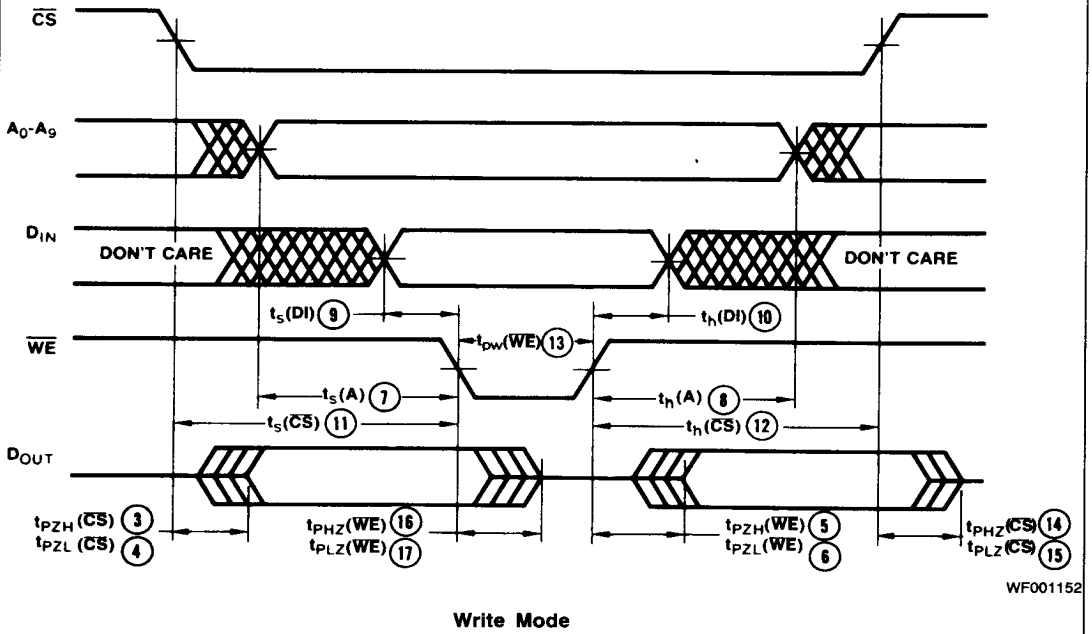
SWITCHING TEST WAVEFORM



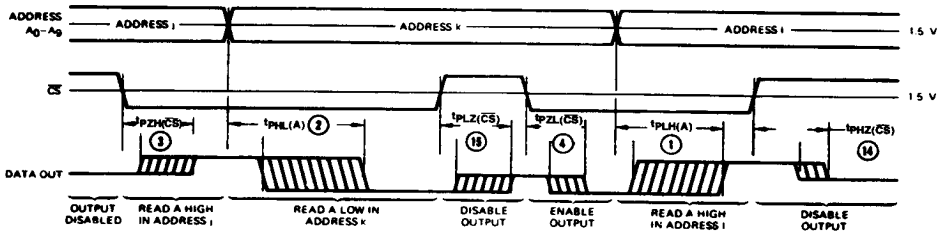
KEY TO SWITCHING WAVEFORMS

WAVEFORM	INPUTS	OUTPUTS
	MUST BE STEADY	WILL BE STEADY
	MAY CHANGE FROM H TO L	WILL BE CHANGING FROM H TO L
	MAY CHANGE FROM L TO H	WILL BE CHANGING FROM L TO H

SWITCHING WAVEFORMS



Write Mode



Read Mode

WF001742

Switching delays from address and chip select inputs to the data output. For the Am93L425 series, a disabled output is OFF, represented by a single center line. For the Am93L415 series, a disabled output is HIGH.

GROUP A SUBGROUP TESTING

DC CHARACTERISTICS

Parameter Symbol	Subgroups
V _{OH}	1, 2, 3
V _{OL}	1, 2, 3
V _{IH}	1, 2, 3
V _{IL}	1, 2, 3
I _{IIL}	1, 2, 3
I _{IH}	1, 2, 3
I _{SC}	1, 2, 3
I _{CC}	1, 2, 3
V _{CL}	1, 2, 3
I _{CEX}	1, 2, 3

SWITCHING CHARACTERISTICS

No.	Parameter Symbol	Subgroups	No.	Parameter Symbol	Subgroups
1	t _{PLH} (A)	9, 10, 11	10	t _H (DI)	9, 10, 11
2	t _{PHL} (A)	9, 10, 11	11	t _S (CS)	9, 10, 11
3	t _{PZH} (CS)	9, 10, 11	12	t _H (CS)	9, 10, 11
4	t _{PZL} (CS)	9, 10, 11	13	t _{pw} (WE)	9, 10, 11
5	t _{PZH} (WE)	9, 10, 11	14	t _{PHZ} (CS)	9, 10, 11
6	t _{PZL} (WE)	9, 10, 11	15	t _{PLZ} (CS)	9, 10, 11
7	t _S (A)	9, 10, 11	16	t _{PLZ} (WE)	9, 10, 11
8	t _H (A)	9, 10, 11	17	t _{PHZ} (WE)	9, 10, 11
9	t _S (DI)	9, 10, 11			

MILITARY BURN-IN

Military burn-in is in accordance with the current revision of MIL-STD-883, Test Method 1015, Conditions A through E. Test conditions are selected at AMD's option.

3